

#1 1:29 Gauge SCALE

ART-46000 SERIES 40 FT. BOXCAR (STEEL)

PARTS LIST-ORDER FORM



SPECIFY ROADNAME/ART#: _____ Insert Quantity Ordered

Part #	Description *	Price	Quantity Ordered
46000-01	Instruction Manual	\$ 1.00	
460XX-02	Boxcar Body (Except LTD./Special editions)	30.00	
46000-03	Underframe	15.00	
46000-04	Floor	10.00	
460XX-06	Door	5.00	
460XX-07	Door Guide	1.00	
460XX-08	Door Latch	1.00	
46000-09	Door Latch Spring	1.00	
46000-10	Placard Holder	1.00	
46000-11	Brakewheel	1.00	
46000-12	Brakewheel Post/Pipe	1.00	
46000-13	Brake Platform	1.00	
46000-14	End/Side Ladder	1.00	
46000-15	Step-Left Right (pair)	2.00	
46000-16	Long Roofwalk	1.00	
46000-17	Side Roofwalk	1.00	
46000-18	Air Tank	1.00	
46000-19	Brass Grabrailing-End	2.00	
46000-20	Brass Grabrailing-Small Side	2.00	
46000-21	Brake Rigging	1.00	
46000-22	Brake Piston	1.00	
46000-23	Brake Linkage	1.00	
46000-80	Body Side Screw (2 pcs.)	1.00	
46000-81	Body Screw, Long	2.00	
46000-82	Underframe Screw (2 pcs.)	1.00	
29104	Plastic Wheel Set (2 Axles-4 Wheels)	5.95	
29101-02	Sideframe	4.00	
29101-03	Axle Bushing (2 pcs.)	1.00	
29101-04	Spring Holder w/Brakeshoes	1.00	
29101-86	Bolster Truck Screw	1.00	
29101-06	Bolster	2.00	
29101-99	Freight Truck Springs (2 pcs.)	1.00	
29200-02	Coupler Drawhead Shank	1.00	
29200-03	Shank Pivot	1.00	
29200-04	Centering Spring	1.00	
29200-85	Centering Screw	1.00	
29200-06	Coupler Mounting Bracket	1.00	
29200-87	Mounting Screw	1.00	
29200-08	Centering Shaft	1.00	
29200-09	Drawhead Spring	1.00	
29200-10	Knuckle Tab	1.00	
29200-11	Knuckle Spring	1.00	
29200-12	Knuckle Head	1.00	
29200-13	Drawhead Bottom Plate	1.00	
29200-84	Plate Mounting Screw (2 pcs.)	1.00	
29200	Coupler-Knuckle (2 pcs.)	7.95	
29101	Truck, Freight w/Plastic Wheels w/o coupler (pair)	16.95	
29101-69	Plastic Loop/Hook Coupler (2 pcs.)	No Charge	
46000-99	Parts List-Order Form	No Charge	

RETURN THIS FORM WITH YOUR ORDER
A REPLACEMENT FORM WILL BE SENT WITH YOUR ORDER

NOTE: When ordering replacement parts or repair request, please refer to proper 5 or 7 digit number listed.

XX refers to last two digits of roadname ART freight car number when part is painted to match, i.e. ART-46002 RIO GRANDE. 46002-06 would then refer to Door for RIO GRANDE BOXCAR ART-46002. When part is same FOR ALL FORTY-FOOT STEEL BOXCARS, 46000-plus 2 digit number would be used to denote specific part, i.e. 46000-03 is BOXCAR UNDERFRAME used on all BOXCARS regardless of roadname. Please specify roadname/ART# on line above part# list.

Unpainted/painted part(s) will be substituted if the painted to match part(s) ordered are not available.

In addition to Price Each shown please enclose...
\$3.50 shipping/handling if part order is less than \$10.00 or \$5.00 shipping/handling if part order is \$10.00 or more. This is for part order only. Not WARRANTY order.

Include proper payment for parts plus shipping/handling with your (USA Bank Account Only) check/money order payable in US Dollars (\$) to: Polk's Hobbies. Please DO NOT SEND CASH. Sorry no C.O.D.'s for parts.

New Jersey residents add 6% NJ State Sales Tax.

Be Sure to include your name, street address (no Post Office Box please), city, state (or province), country (if outside USA), and postal zip code, along with daytime phone number including Area Code, so that you may be contacted if necessary.

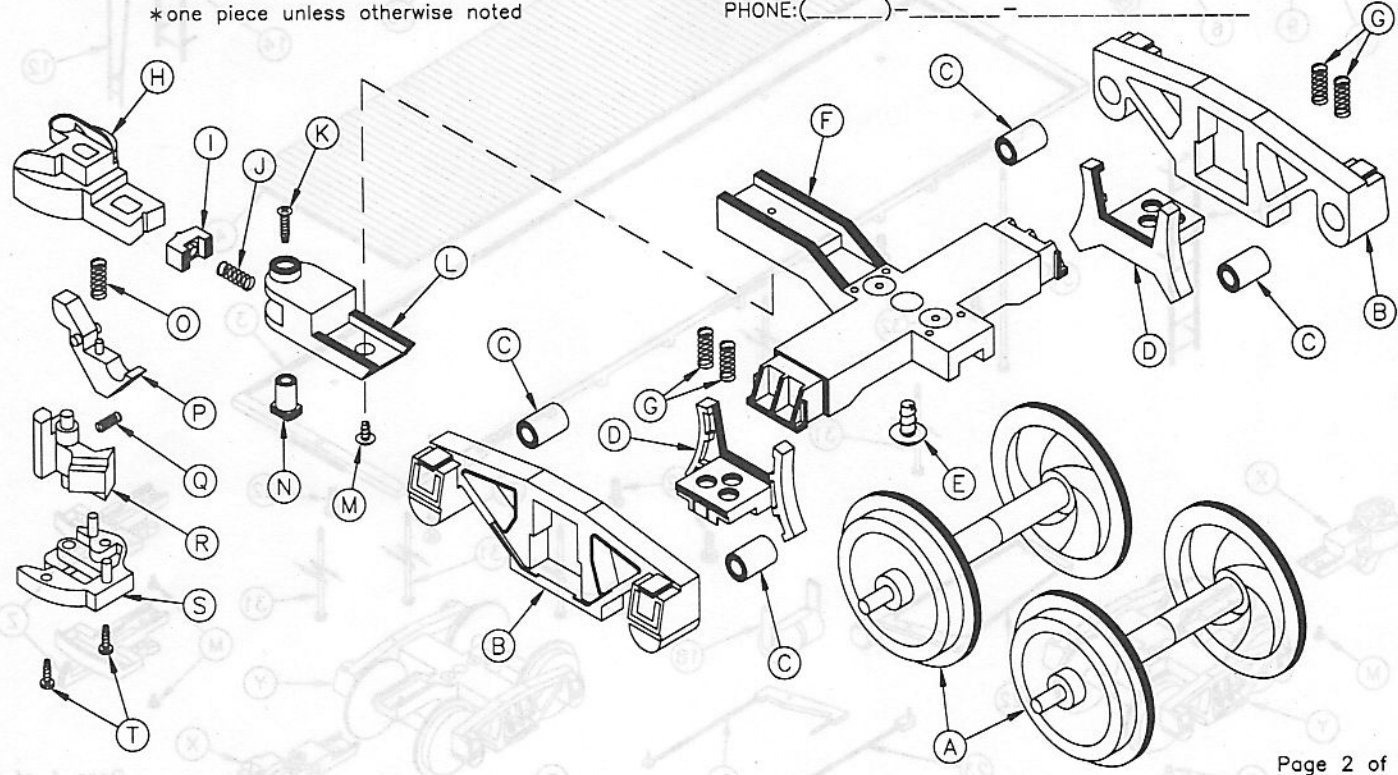
Mail order form and payment to:
ARISTO-CRAFT TRAINS/Polk's Modelcraft Hobbies, Inc.
346 Bergen Avenue
Jersey City, NJ 07304 USA

Allow 4-6 weeks for processing and delivery.

PLEASE PRINT CLEARLY

NAME: _____
ADDRESS: _____
CITY: _____ STATE: _____ ZIP: _____
PHONE: (_____) _____

*one piece unless otherwise noted





ART-46000 SERIES 40 FT. BOXCAR (STEEL)

ASSEMBLY INSTRUCTIONS

#1 Gauge 1:29 SCALE

